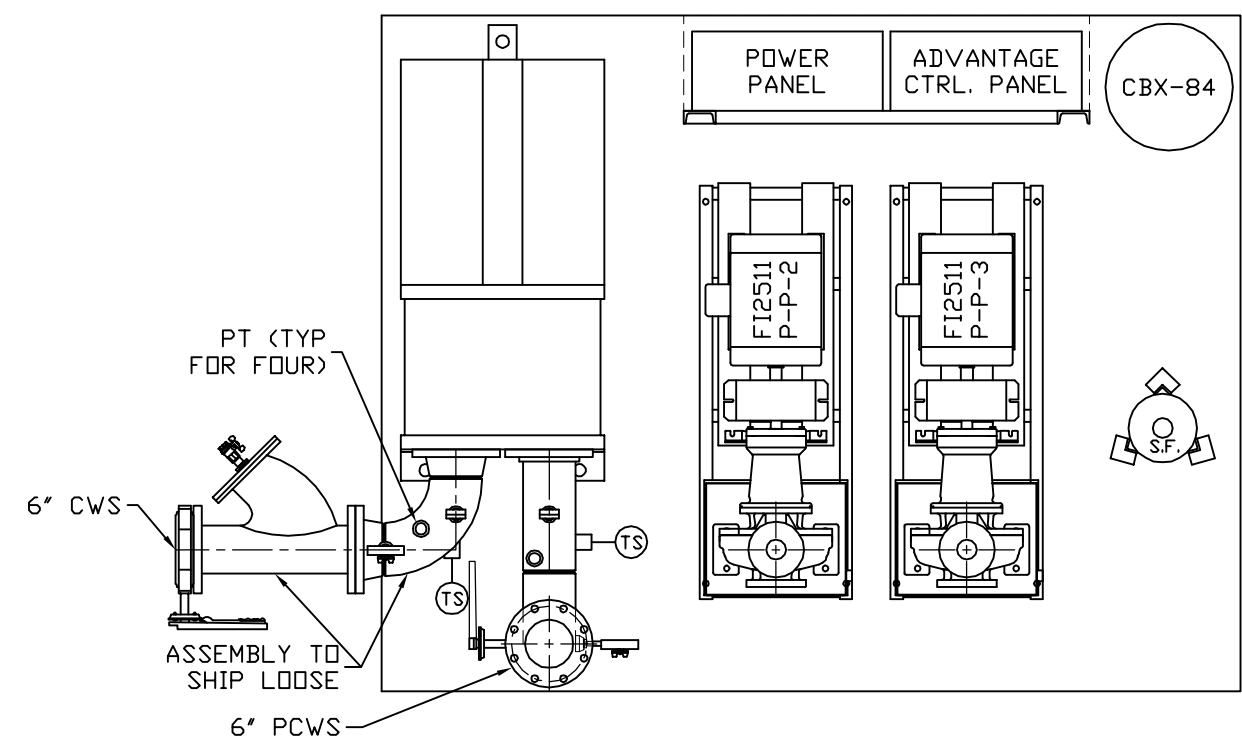
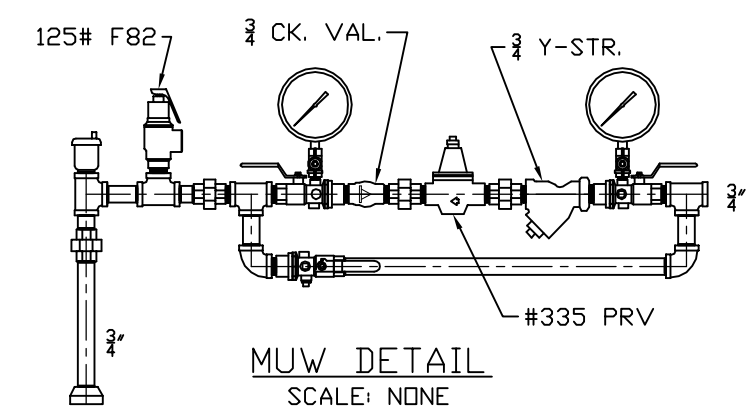


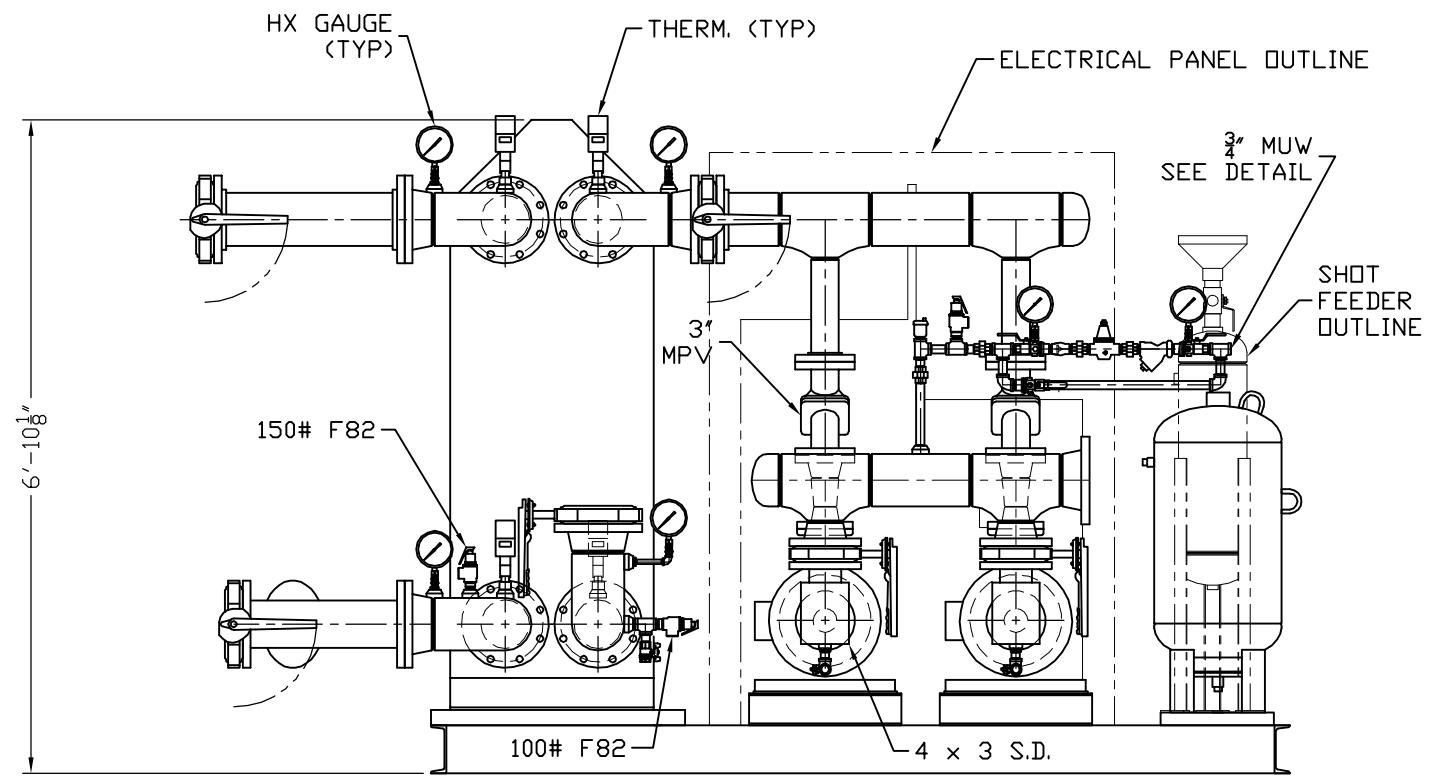
PLAN VIEW-TOP CONNECTIONS



PLAN VIEW-BOTTOM CONNECTIONS



MUW DETAIL  
SCALE: NONE



FRONT ELEVATION

- NOTES:  
 1. SHIPPING WEIGHT: 9,000 LBS.  
 2. OPERATING WEIGHT: 10,000 LBS

130927-1

	by: SGM	DESCRIPTION:	JOB NAME: MEDICAL SCHOOL
	CK:	6" DUPLEX WSHP HTP-P-1	LOCATION:
	APP:	SCALE: 1/2"=1'-0"	CONTRACTOR:
		DATE: 01/05/06 rev 4	ENGINEER:

Proprietary Notice:  
 The information provided herein is exclusively for use in the support of Heat Transfer Sales products and may not be used for any other purpose without specific written permission from Heat Transfer Sales.



NOTE: ALL DIMENSIONS ARE ± 1/8"