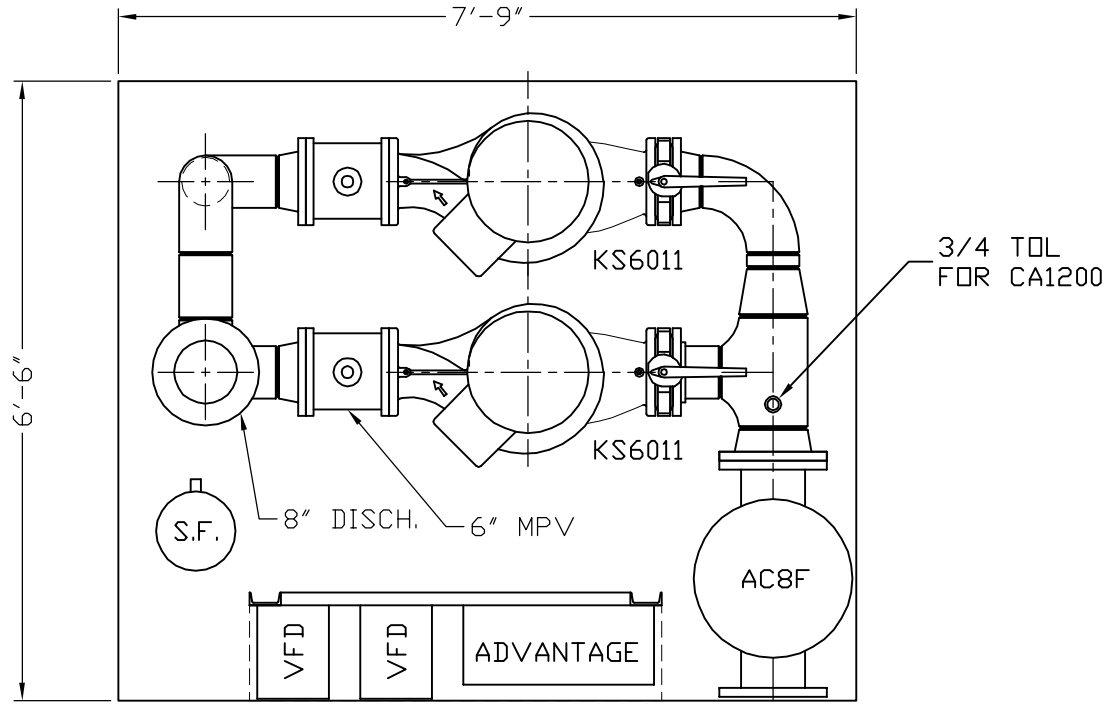
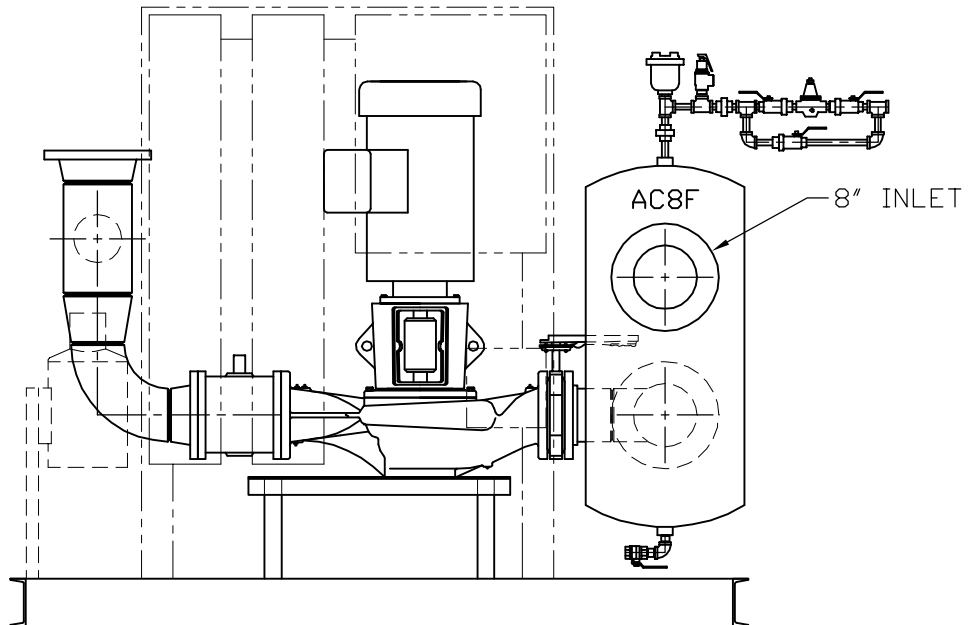


Proprietary Notice

The information provided herein is exclusively for use in the support of Heat Transfer Sales products and may not be used for any other purpose without specific written permission from Heat Transfer Sales.



PLAN VIEW



ELEVATION

NOTE: ALL DIMENSIONS ARE $\pm \frac{1}{2}$ "

120737-1



by: SGM	DESCRIPTION:	JOB NAME: HOSPITAL
CK	HOT WATER DUPLEX	LOCATION:
APP.	SCALE: 1/2"=1'0"	CONTRACTOR:
	DATE: 08/20/04	ENGINEER:
	r2	