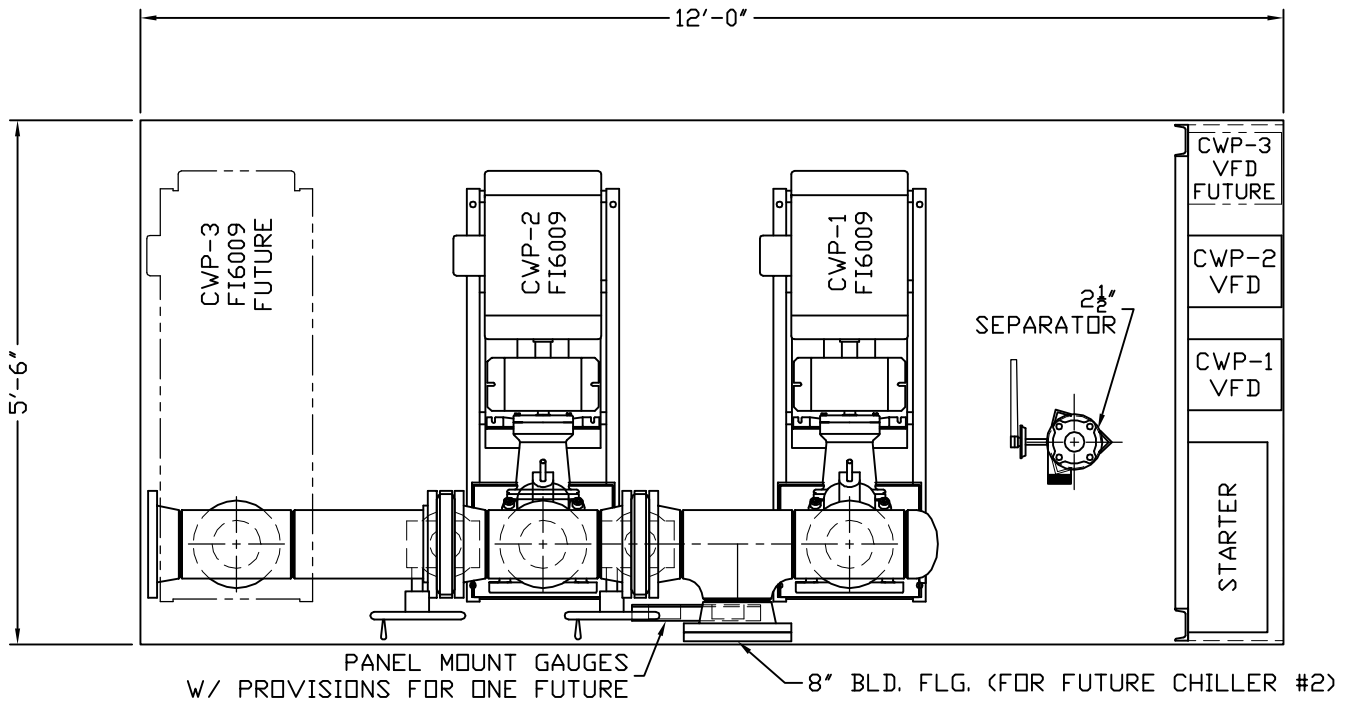
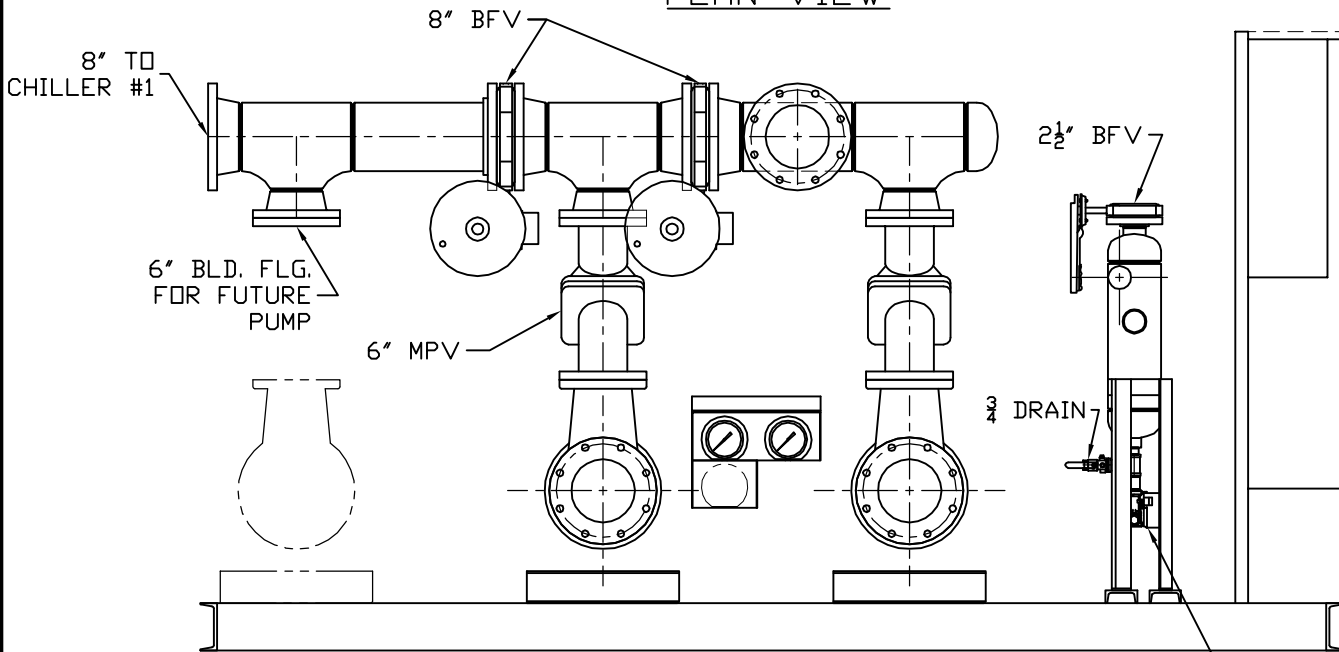


Proprietary Notice:

The information provided herein is exclusively for use in the support of Heat Transfer Sales products and may not be used for any other purpose without specific written permission from Heat Transfer Sales.



PLAN VIEW



ELEVATION

- NOTES:**
1. SHIPPING WEIGHT: 5850 LBS. (7225# W/ FUTURE PUMP)
 2. OPERATING WEIGHT: 6100 LBS. (7500# W/ FUTURE PUMP)

NOTE: ALL DIMENSIONS ARE ± 1/8"

141466-1



by: SGM	DESCRIPTION:	JOB NAME: TECHNICAL SCHOOL
CK:	CONDENSER WATER PACKAGE	LOCATION:
APP:	SCALE: 1/2"=1'0"	CONTRACTOR:
	DATE: 08/11/06 rev 1	ENGINEER: